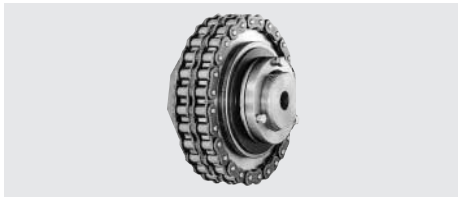
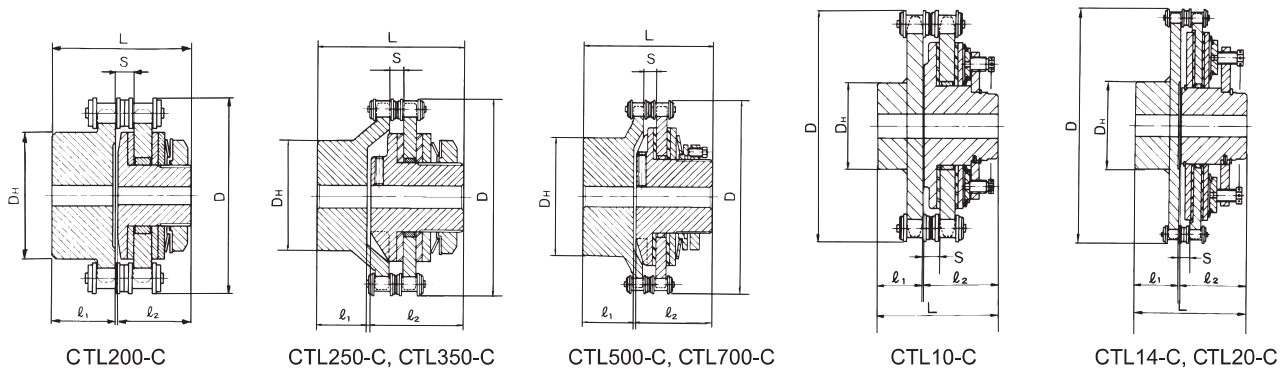


扭力限制型联轴器 Friction Type Torque Limiter Coupling



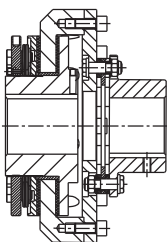
扭力限制型联轴器，具超载后打滑之保护作用，同时也实现了轴—轴传动的可能，CTL-C 扭力限制器型联轴器是滚子链联轴器与CTL扭力限制器的一种完美结合。CTL-C torque limiter coupling combines overload slip protection with the ability to couple driving and driven shafts. It is an assembly consisting of a CTL torque limiter and roller chain coupling. This construction provides a dependable character and easy-to-assemble flexible coupling.



◇ 扭力限制型联轴器的尺寸 Capacity and Dimension of Torque Limiter Coupling

尺寸:(mm)
Dimensions in mm

型号 Model	扭矩范围 Torque Range (Nm)	最高转速 Max. Running Speed (r/min)	成型孔径 Finish Bore		最大孔径 Max. Bore		链轮 Sprocket	D	D _H	L	l ₁	l ₂	S	重量 Weight (kg)
			链轮 Sprocket	CTL	链轮 Sprocket	CTL								
CTL200-1C	2.9~9.8	1200	8	7	31	14	RS 40-16T	76	50	55	24	29	7.5	1.0
C TL200-2C	6.9~20													
CTL250-1C	6.9~27	1000	13	10	38	22	RS 40-22T	102	56	76	25	48	7.4	1.9
CTL250-2C	14~54													
CTL350-1C	20~74	800	13	17	45	25	RS 50-24T	137	72	103	37	62	9.7	4.2
CTL350-2C	34~149													
CTL500-1C	47~210	500	18	20	65	42	RS 60-28T	188	105	120	40	76	11.6	10.0
CTL500-2C	88~420													
CTL700-1C	116~569	400	23	30	90	64	RS80-28T	251	150	168	66	98	15.3	26.0
CTL700-2C	223~1080													
CTL10-16C	400~1240	300	33	30	95	72	RS140-22T	355	137	189	71	115	26.2	66.0
CTL10-24C	590~1860													
CTL14-10C	890~2660	200	28	40	118	100	RS160-26T	470	167	235	80	150	30.1	140.0
CTL14-15C	1960~3920													
CTL20-16C	2450~4900	140	43	50	150	135	RS160-36T	631	237	300	120	175	30.1	285.0
CTL20-12C	4610~9310													



- 可和刚性无齿隙钢膜片联轴器组装
With torsionally rigid, backlash-free steel lamina coupling
- 可适应较高的工作温度（可达280 ° C）
suitable for high operating temperatures (up to 280 ° C)
- 有不同长度的中间体适用不同的轴间距
with variable spacers for different shaft distance dimensions

◇ 订货描述示例:

Order form:

CTL14-10C	φ28/φ40	φ28/φ40键槽按φ28/φ40keyway
规格与型号 Size/type of joint	链轮孔径/扭力限制器孔径 Sprocket H7/KRTL H7	成品孔径(H7)键槽按GB/T3852-1997(JS9)标准 Finish bore (H7) Keyway to GB/T3852 sheet 1997(JS9)