

GS联轴器弹性缓冲垫

ELASTIC BUFFERS USED IN GS TURRET SHAFT COUPLING



产品用途:

本产品适用于各种传动机械用于传动轴联接的联轴器缓冲垫。

扭矩: 22.4-2500NM

磨损: $<0.05\text{cm}^3 / 1.61\text{km}$

产品硬度:

蓝色85A 黄色92A 红色95A 98A 灰绿64D

使用温度: $-40\sim 100^\circ\text{C}$

标准来源: 德国KTR

USAGE:

This products is apply to mechanical shaft copuling,buffered act on the jiont of the transmission shaft.

Pitch strand:22.4~2500NM

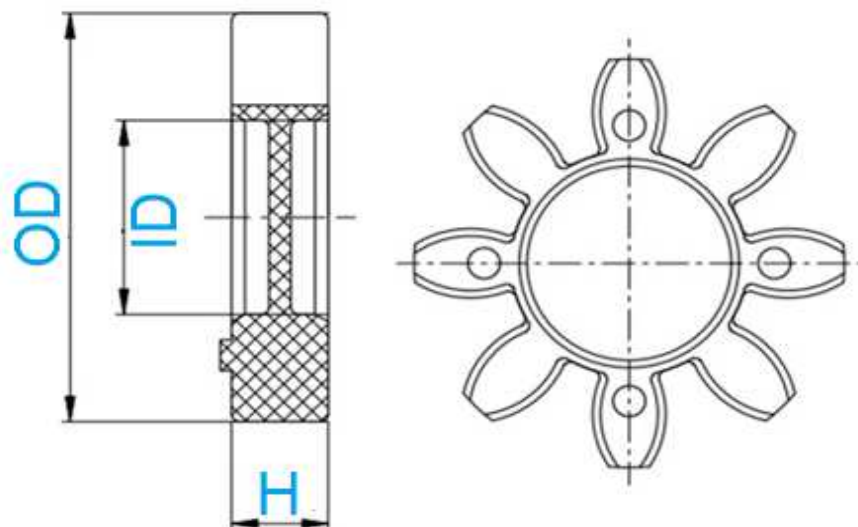
Wear tear: $<0.05\text{cm}^3 / 1.61\text{km}$

Hardness:

blue SHA85 yellow SHA92 red SHA95 98
sage green SHD64

Temperature: $-40\sim 100^\circ\text{C}$

Standard:KTR, Germany



Size	OD	ID	H	Lamella Qty
GS-7	14	5	7.4	4
GS-9	20	7.2	10	4
GS-12	25	8	12	4
GS-14	30	10.5	12	4
GS-19	40	18	14.5	6
GS-24	54	26	15.2	8
GS-28	65	30	19	8
GS-38	80	38	22	8
GS-42	95	46	24	8
GS-48	104	51	25.5	8
GS-55	120	60	27	8
GS-65	135	68	32	8
GS-75	161	81	37	10
GS-90	199	100	42	10