

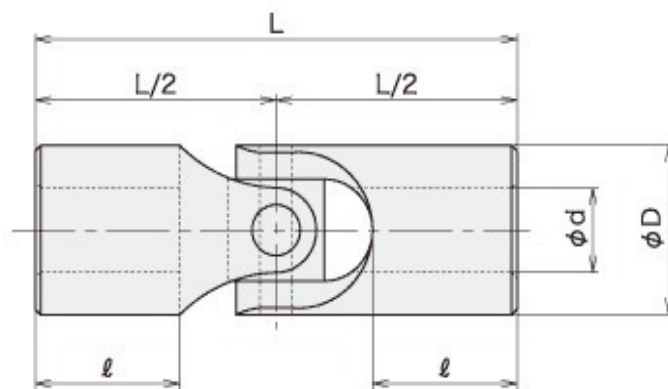
Chengdu Talent Industrial Co., Ltd.

Type M according to DIN 808 with plain bearing



- Suitable for every application in the range of general engineering up to a maximum speed of 1000 rpm
- Type M precision single joint
- Miniature type, available for alloy steel, stainless steel
- Maximum articulation angle 45° for each joint
- Bearings designed as plain bearings
- Available with finish bore H7
- High precision, for small diameter shaft use

shaft-hole shape



■Type M Dimension Table

	ϕd^{H7}	ϕD	L	ℓ	Swing of the center	Mass g	Max. revolution min^{-1}	Max. transmission torque capacity N·m
M-2.0	2	6	15	4	0.10	2.5	1000	0.4
M-2.5	2.5	6	15	4	0.10	2.5	1000	0.4
M-3.0	3	6	18	5.5	0.10	2.5	1000	0.4
M-3.5	3.5	6	18	5.5	0.10	2.5	1000	0.4
M-4.0	4	8	24	7.2	0.15	6.5	900	1.1
M-4.5	4.5	8	24	7.2	0.15	5.5	900	1.1
※M-5.0	5	10	30	9	0.15	12.5	700	2.4
※M-5.5	5.5	10	30	9	0.15	11.5	700	2.4

Order form:	M-3.0	$\phi 3$	
	Size/type of joint	Finish bore (H7)	